

► Flow Sensor

LFS-050 / 075 / 100 / 200 Series

► Switch Specifications of Flow Sensor

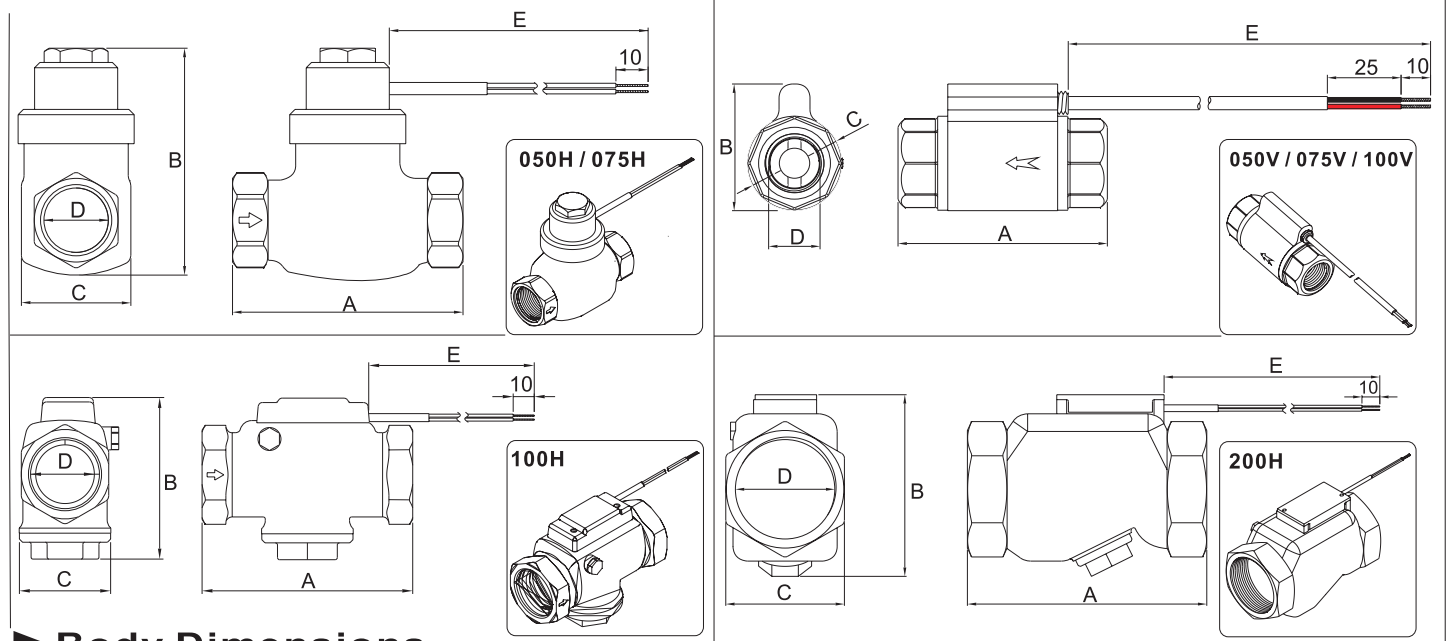
Electrical Characteristics	Unit	High Power
· Switched Power (max)	W	50
· Switched Voltage DC (max)	VDC	250
· Switched Current DC (max)	A	1.0
· Contact Resistance (initial max)	Ohm	150
· Insulation Resistance (min)	Ohm	10G
· Operate Time -	ms	0.35
· Operating Temperatuer	°C	-10~60

► Specifications Table 1

Series(1)	Material(2)	Type(3)	Operated Flow Rate/min (4)
· 050	Copper / Stainless Steel	Vertical / Horizontal	S : 2 ± 1 M : 3 ± 1 L : 4 ± 1 Y : 7 ± 1 T : 5 ± 1 X : 8 ~ 12
· 075	Copper / Stainless Steel	Vertical / Horizontal	
· 100	Copper	Vertical / Horizontal	
· 200	Copper	Horizontal	

Unit:LPM  
(Only for 050V Series & 075V Series)  
 (Only for 075H Series)  
 (Only for 100V & 050H Series)  
 (Only for 100H & 200H Series)

► Dimensions



► Body Dimensions

Unit : mm Tolerance ±1.0

Series	050H	050V	075H	075V	100H	100V	200H
· A	72.3	71.0	76.3	74.7	101.0	87.5	135.5
· B	82.1	43.7	86.3	45.7	80.1	53.0	103.4
· C	42.5	32.2	42.5	35.9	43.7	40.5	67.3
· D (Thread)	PT 1/2"	PT 1/2"	PT 3/4"	PT 3/4"	PT 1"	PT 1"	PT 2"
· E	370	420	370	420	380	420	380

► Wire Specifications Table 2

Material	Series	Description	Diagram
PVC or PVDF	Normal	Tinned leads	
PVC or PVDF	Cont	JST XH2.5	

► Ordering Information

A Complete part number is represented by the digits below :  
**LFS - XXX X X X 5 - XX XX**

- ① Specifications - Table 1 (1) Series (050,075,100,200)  
 (2) Material (C=Copper ; S=Stainless Steel)  
 (3) Type (V=Vertical ; H=Horizontal)  
 (4) Flow Rate (S,M,L,T,X,Y)
- ② Wire Specification - Table 2 - Material(PV=PVC ; PF=PVDF)  
 - Series(NO= Normal ; CN=Cont)

Note : The flow sensor is not applicable with hard water and impurity water.